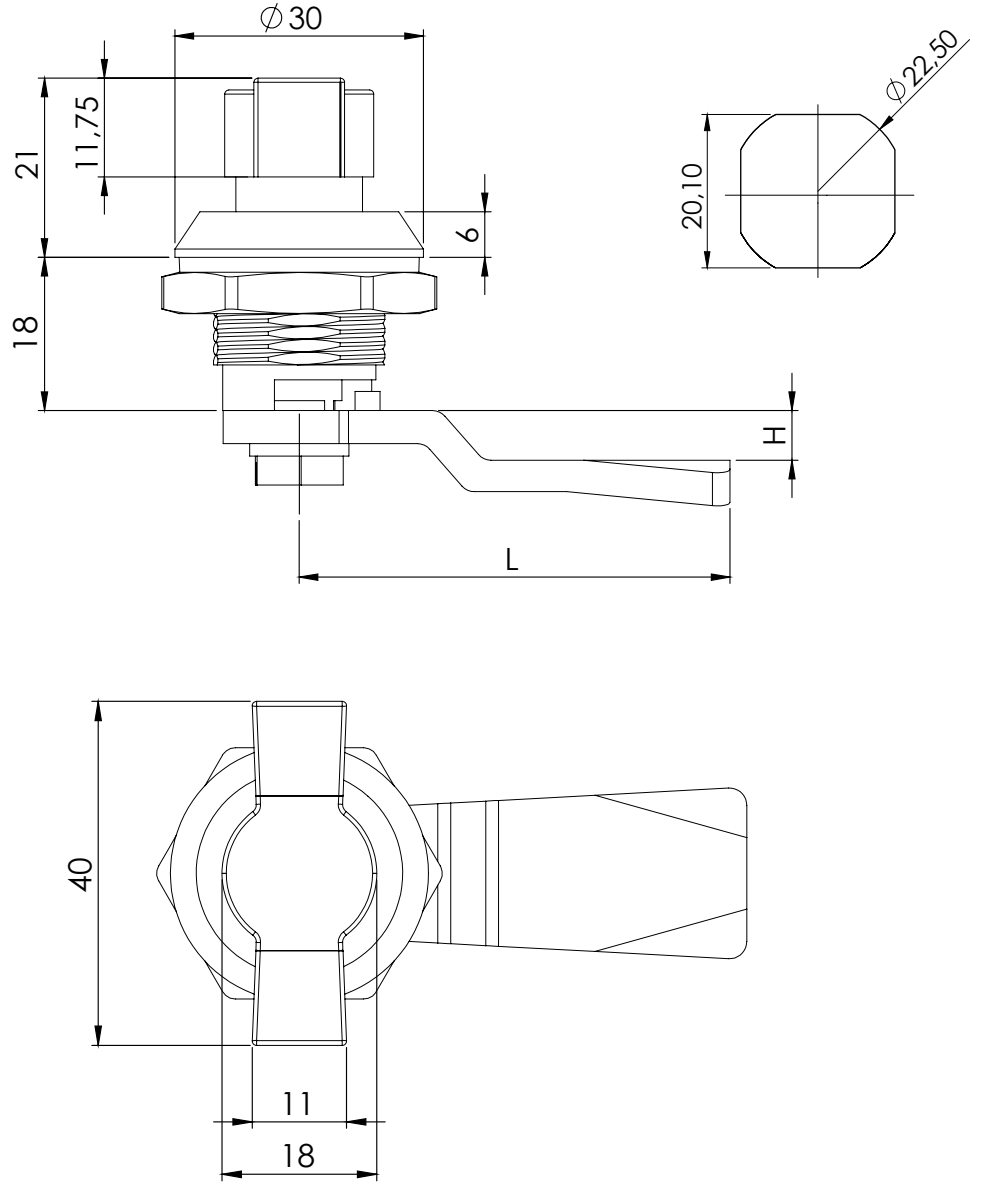


YAYLI PANO KİLİTLERİ

QUARTER TURN CAM LOCKS

205

Yaylı Pano Kilidi (Plastik Kelebek) / Quarter Turn Wing Knob-Plastic



KULLANIM ALANLARI:
Elektrik Panoları, Makine Kapakları

APPLICATIONS:
Electric Panels, Machinery Covers

Kod
Code
205

Dil
Cam
CM

MALZEME / MATERIAL

KOVAN HOUSING	Poliamid Polyamide
KELEBEK KNOB	Poliamid Polyamide
SOMUN NUT	Zamak Zinc Die
DİL CAM	Çelik Steel

İSP. TIRNAKLI DİLLER / CAMS FOR ROD CONTROL (CM)

	CODE	03	020	053	054	055	064
	H	8	0	0	12	4	0
	L	49	51	60	54	52	55

TIRNAKLI DİLLER / CAMS WITH STOPPER (CM)

	CODE	01	02	05	06	07	08	09	010	012	018	019	043	045	046	047	052	059	060	061	086
	H	14	24	0	16	6	12	0	7	-12	0	0	0	4	10	-4	-2	15	12	5	6
	L	48	48	46	46	52	50	54	44	50	29	64	44	43	48	46	52	44	44	45	62